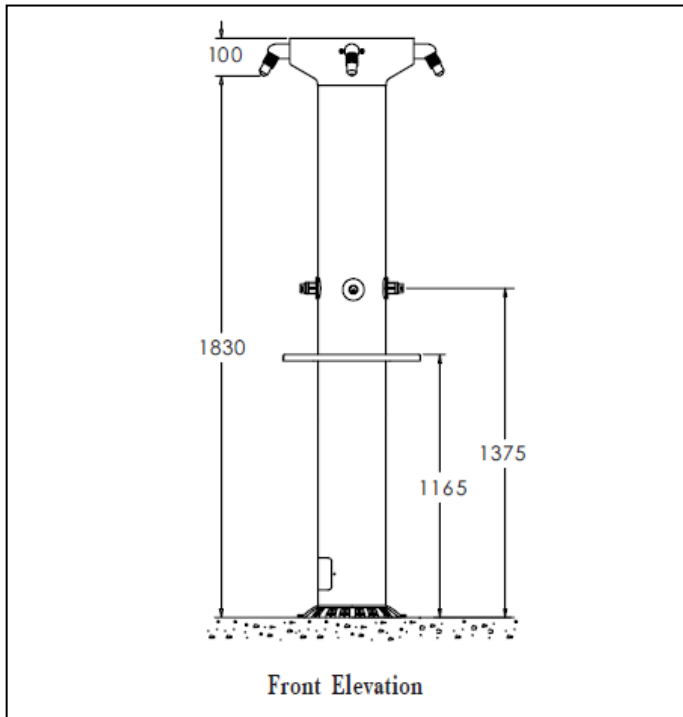


Technical Specification



The Number of Users

The column shower is available to suit either 4, 5, or 6 users.

Spray head, Shower valve and Fittings

The column shower is supplied, as standard, with the following:

Fixed vandal resistant spray head (one per user).

Push button timed flow valve adjustable to give between 5 and 60 seconds operation (one per user). Valve factory set at approximately 45 seconds.

Circular stainless steel self-draining soap tray.

Water supply manifold with single supply inlet of 19 mm (¾ in) diameter copper pipe.

Cast iron drain anchor base with rust preventative coating and a 112 mm overall diameter vertical outlet spigot.

Dome grated drain cover.

Water Supply and Pressure

A temperature controlled water supply is required for the column shower. The supply pipework should be a minimum of 28 mm diameter reducing in size within the column. For satisfactory operation a minimum water pressure of 1.2 bar g. is required at the point where the supply enters the column. For water pressures in excess of 8.0 bar g. a flow control or pressure reducing valve must be fitted.

Product Code Selection for Order or Quotation

1. Base Product Code

621-column shower

2. Number of Users

-4

-5

-6

3. Water Supply

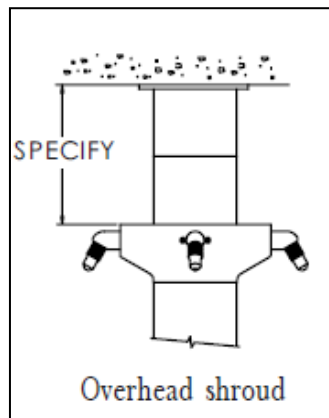
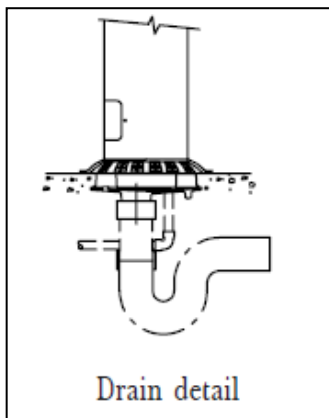
-BS-bottom

-TS-top

4. Options

-OS-overhead pipe shroud (top water supply only)

-specify floor to ceiling height _____ mm



As improvements in the design and performance of Acorn Thorn Limited products is continuous specifications may be subject to change without notification